

AAC Electrostatic Precipitators - Smoke & Grease Control

Commercial Kitchen Smoke & Grease Control

The AAC ESP range of electrostatic precipitators are designed for effective grease and smoke particle reduction in long ductwork applications.

Compact and lightweight, these modular units have a low pressure drop, and offer the highest particulate removal efficiency in their class - removing sub-micron particles by 95% per pass.

Market Leading Technology

Unlike conventional honeycomb-type systems which create only positively charged particles, AAC ESP electrostatic filters create both positive and negatively charged particles. These can then be trapped on the charged collector plates, which along with the use of our larger than average collector cells lead to a dramatic improvement in ESP performance.

Key Benefits

- Extra depth collector cells to allow greater capture efficiency
- Low pressure drop – 90Pa per pass, resulting in lower energy costs
- Stainless steel spike ionisers offer a longer life span than wire ionisers
- Solid state power supply
- Two-year parts warranty

AAC ESP electrostatic precipitators (ESPs) are specifically designed for the removal of grease and smoke particles from commercial kitchen extraction systems.

These high-performance units have a low pressure drop, come with a two-year parts warranty, and offer the highest particulate removal efficiency in their class - removing sub-micron particles by 95% per pass



AAC ESP4420

The AAC ESP electrostatic precipitators operate at 95% efficiency per pass at 4,420 and 6,630 m³/s per unit. Using extra depth collector cells and the highest ionisation and collector cell voltages ensures the greatest capture efficiency at high volume flow rates.

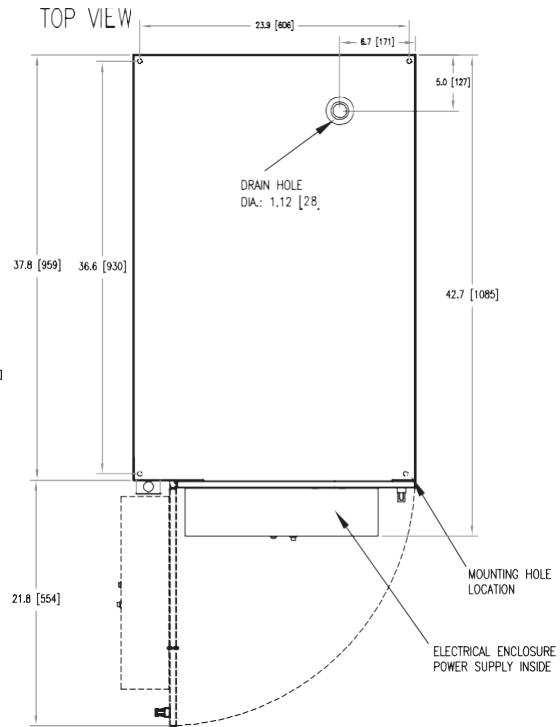
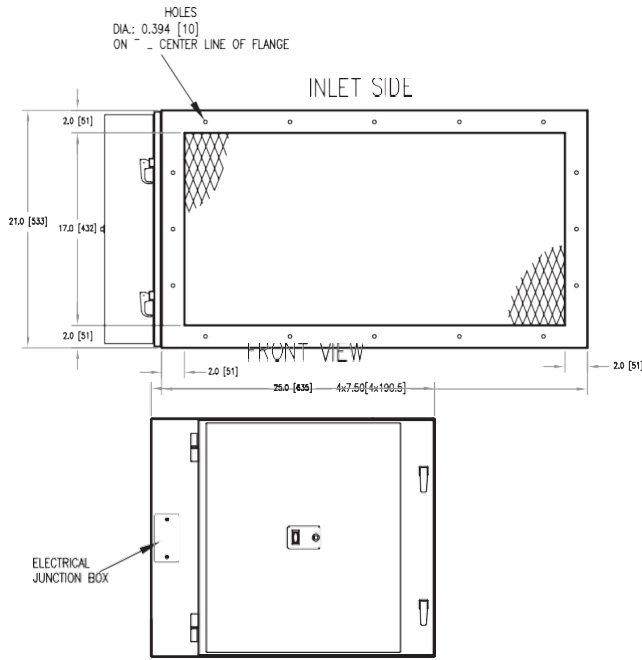
NB: It is important to check the stated efficiency and volume flow rate when comparing products

SPECIFICATION		
Model	AAC ESP 4420	AAC ESP 6630
Dimensions	533H x 1085W x 635D mm	533H x 1547W x 635D mm
Air Volume	1.4 m ³ /s	2.1 m ³ /s
Input Voltage	230Vac / 1 phase / 50Hz	
Power Consumption	50w	66w
No. of ESP Cells	2	3
Weight	80kg	120kg
Pressure	90Pa (dirty filters)	
Multiple units can be joined together for increased volume or efficiency		

Address: AAC Eurovent Ltd, AAC House, Unit K, Maybrook Industrial Estate, Maybrook Road, Brownhills, West Midlands, WS8 7DG
UK Tel: 0800 999 4884 | **Fax:** 08444 77 4797 | **International Callers Tel:** +44 (0) 1543 379823
Email: sales@aaceurovent.co.uk | **Website:** www.aaceurovent.co.uk

The information contained within this brochure was correct at time of print. All graphics and text on this page are protected by Copyright. © 2017 AAC Eurovent®
 AAC Eurovent is continuously improving its products and reserves the right to alter designs without prior notice

Model AAC ESP4420



Model: AAC ESP6630

