

## AAC PV range - Passive Vent Carbon Filters

The AAC PV Passive Vent range of Carbon Filters is designed for adsorbing vent gases from sewerage processes and digestion tanks on a passive basis.

These high quality Carbon Filters offer effective Odour Control and Hydrogen Sulphide Removal, and are suitable for use with both granular and pelletised Activated Carbon.

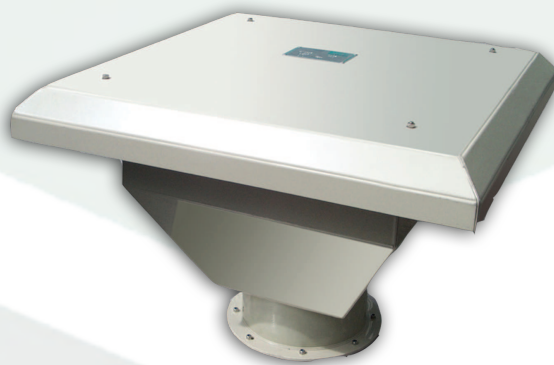
AAC PV Passive Vents feature a disposable/refillable Filter and have a capacity of 430m<sup>3</sup>/hr. Fan assisted versions are available for forced ventilation applications.

### Features & Benefits:

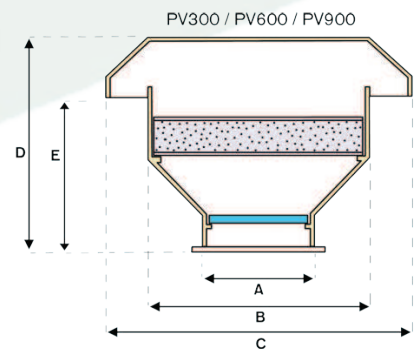
- Beige polypropylene construction
- Disposable or refillable Filter
- Powered vent option available

### Typical Applications:

- Sludge Holding Tanks
- Sewage Holding Tanks
- Fume Cupboard Exhausts
- Waste Holding Tanks
- VOC Removal for Oil Storage Tanks
- Pump Sumps under Positive Pressure



AAC PV Passive Vent



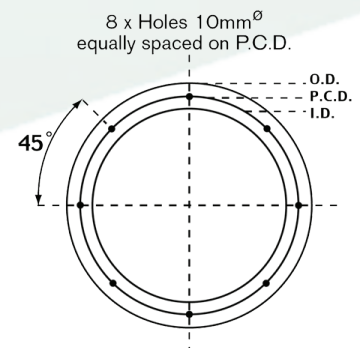
PV600 Side Elevation

A low cost, fast turnaround Activated Carbon resupply service is available to support this solution.

## AAC PV Range of Filters

Model No.	PV300 (70m <sup>3</sup> /h)	PV600 (280m <sup>3</sup> /h)	PV900 (430m <sup>3</sup> /h)
A	100mmØ	315mmØ	315mmØ
B	310mm x 310mm	610mm x 610mm	920mm x 610mm
C	500mm x 500mm	900mm x 900mm	1210mm x 900mm
D	450mm	650mm	650mm
E	350mm	550mm	550mm

Flange	PV300	PV600	PV900
I.D.	100mmØ	315mmØ	315mmØ
O.D.	180mmØ	395mmØ	395mmØ
P.C.D.	135mmØ	350mmØ	350mmØ



PV600 Flange Detail