

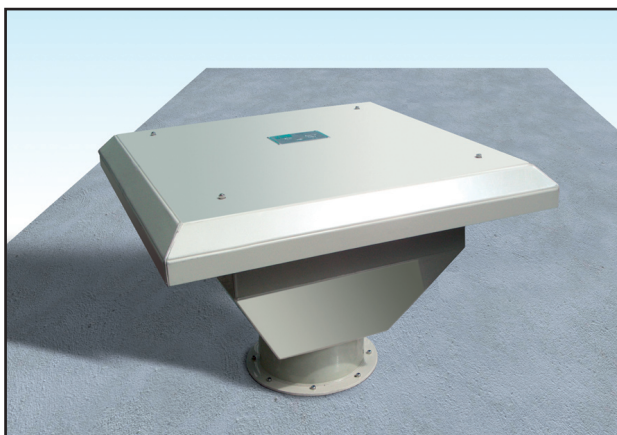
PV300/PV600/PV900 - Passive Activated Carbon Filters For Sewage Odours

Introduction

The **AAC PV** range of passive activated carbon filters are suitable for a wide range of applications including the control of odour in sludge/sewage holding tanks. Available in both granular and pelletised forms they feature a disposable/refillable filter cell containing impregnated activated carbon suitable for Hydrogen Sulphide and sewage odour removal. They have a capacity up to 430m³/h. Fan assisted versions are available where operating on a forced ventilation basis is required.

	PV300 70m ³ /h	PV600 280m ³ /h	PV900 430m ³ /h
A	100mm [∅]	315mm [∅]	315mm [∅]
B	310mm X 310mm	610mm X 610mm	920mm X 610mm
C	500mm X 500mm	900mm X 900mm	1210mm X 900mm
D	450mm	650mm	650mm
E	350mm	550mm	550mm

Flange	PV300	PV600	PV900
I.D.	100mm [∅]	315mm [∅]	315mm [∅]
O.D.	180mm [∅]	395mm [∅]	395mm [∅]
P.C.D.	135mm [∅]	350mm [∅]	350mm [∅]



AAC PV Passive Filter

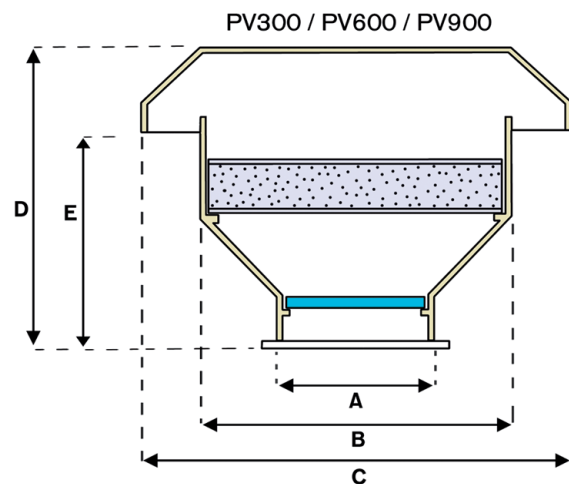
Typical Applications

- Sludge/sewage holding tanks
- Pump sumps - under positive pressure

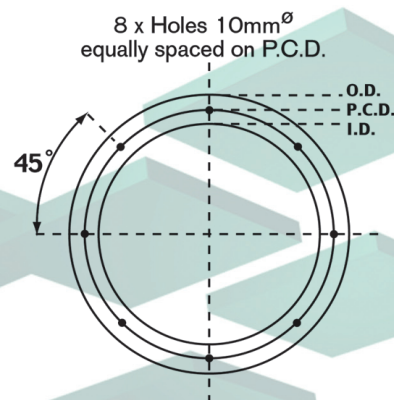
Features & Benefits

- Beige Polypropylene construction
- Disposable or refillable filter
- Powered vent option available

Designed for adsorbing vent gases from sewerage process and digestion tanks on a passive basis



Mounting Flange Detail



Address: AAC Eurovent Ltd, AAC House, Unit K Maybrook Industrial Estate, Maybrook Road, Brownhills, West Midlands WS8 7DG. UK.
Tel: 08444 77 4884 **Fax:** 08444 77 4797 **International Callers Tel:** +44 (0) 1543 379823
Email: sales@aacurovent.co.uk **Website:** www.aacurovent.co.uk