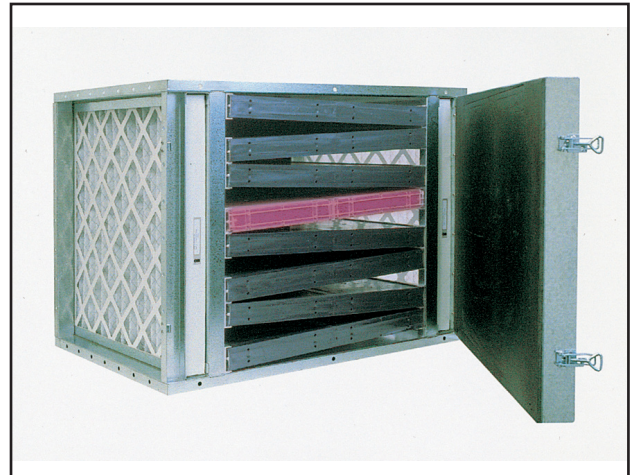


Swiftpack® Range - Side Access Activated Carbon Filter Modules For Ducted Systems

Introduction

The **AAC Swiftpack®** activated carbon filter modules are designed for installation into either new or existing ducted systems. The units are compact, extremely robust and easy to install with flanges fitted at either end.

These low cost, high quality modules are suitable for a wide variety of applications, and are available in both 316 stainless steel and galvanised mild steel.



AAC Swiftpack® unit and filters

Standard Fittings Include:

- Hinged side access doors complete with toggle fasteners
- Panel type pre and after filters
- Flanges at either end
- Name and data plate
- A complete set of PR range filters filled with either standard or Impregnated activated carbon or other media as appropriate

Features & Benefits

- Incorporates the **AAC PR™** plastic refillable type carbon filter trays
- Pre and after filtration capability
- Hinged or removable side access door/panel
- Air tight, brush pile seals on filter slides to prevent air by pass
- Modular configurations for larger units
- CNC production methods provide high quality & uniform product construction
- CNC punched hole flanges for accurate ductwork connection



AAC Swiftpack® unit and filters

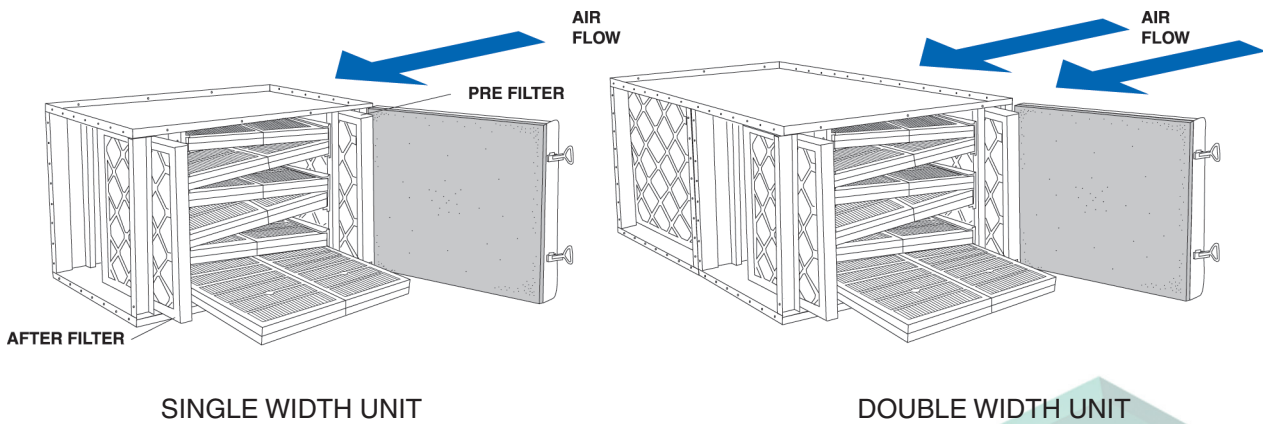
Address: AAC Eurovent Ltd, AAC House, Unit K Maybrook Industrial Estate, Maybrook Road, Brownhills, West Midlands WS8 7DG. UK.

Tel: 08444 77 4884 **Fax:** 08444 77 4797 **International Callers Tel:** +44 (0) 1543 379823

Email: sales@aacurovent.co.uk **Website:** www.aacurovent.co.uk

Volume flowrate (m ³ /s)	Internal unit height (mm)			Internal unit width (mm)	Length (mm)
	Dwell time 0.1s	Dwell time 0.2s	Dwell time 0.3s		
0.25	375	375	375	560	850
0.50	375	600	600	560	850
1.00	600	1000	1375	560	850
1.50	600	1000	1000	1170	850
2.00	600	1000	1375	1170	850
2.50	1000	1375	1600	1170	850
3.00	600	1000	1375	1780	850
4.00	1000	1200	1600	1780	850
5.00	1000	1375	2000	1780	850
6.00	1000	1375	2000	2390	850

Where site conditions dictate, variations to the above configurations can be easily made in most cases to enable a suitable filter to be sized for a higher volume flowrate. Should this be the case contact our Technical Sales team for further details.



Address: AAC Eurovent Ltd, AAC House, Unit K Maybrook Industrial Estate, Maybrook Road, Brownhills, West Midlands WS8 7DG. UK.
Tel: 08444 77 4884 **Fax:** 08444 77 4797 **International Callers Tel:** +44 (0) 1543 379823
Email: sales@aacurovent.co.uk **Website:** www.aacurovent.co.uk